

ONN-M4B LED Warning Light

Introduction:

1. Hemispheric design, elegant appearance..
2. Aluminum body with PC cover makes it sturdy and durable.
3. Three colors on a single layer, easy to distinguish different signals.
4. Easy to install.

Application: CNC machine, Automatic equipment, SMT equipment etc, Production line.

Warranty: 2 years

Certification: CE, RoHS, FCC

Ordering code:

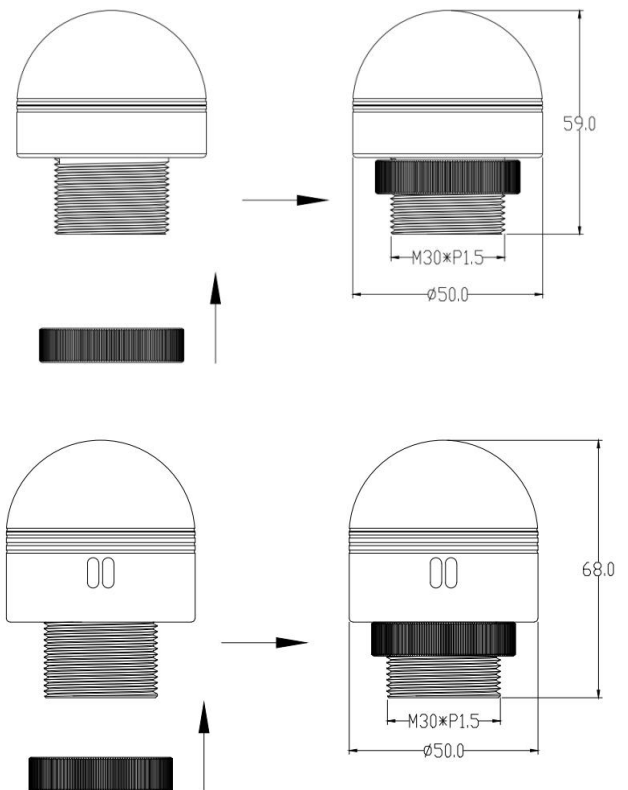
ONN - M4B <u>1</u> <u>B</u> <u>B</u> <u>I</u> <u>RYG</u> <u>50</u>	
1 3 4 5 6 7	
1.Layer	1: Single layer
2. Voltage	B: DC24V
3.Function	B: Steady, S: Red flash, D: All flash F: Steady with buzzer C: Red flash with buzzer C. All flash with buzzer
4.Connect type	C: Contact type, T: PNP& NPN
5. Color	R: Red, Y: Yellow, G:Green
7. Diameter	50: ϕ 50mm

Parameter:

Full Power	3W
Input voltage	DC24V
Input current	30 to 50mA for each color
Working Temperature	-20~45°C
IP rating	IP65(No buzzer) IP30(Buzzer type)
Material	Aluminum body and PC cover
Lifetime	50,000 hours
Installation	Fixed by thread

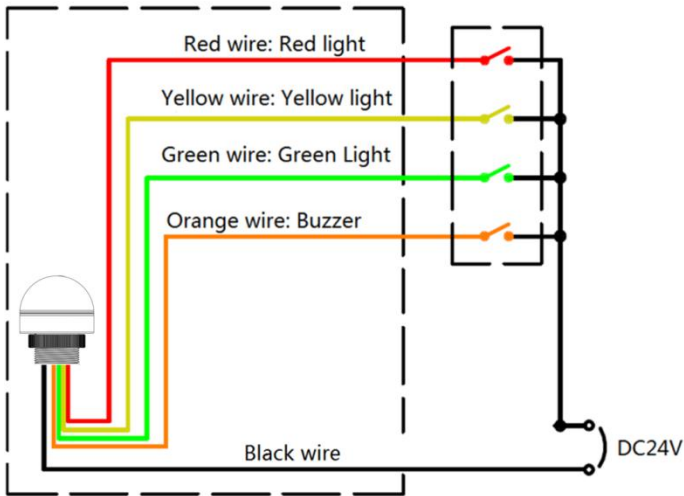


Dimension(mm):

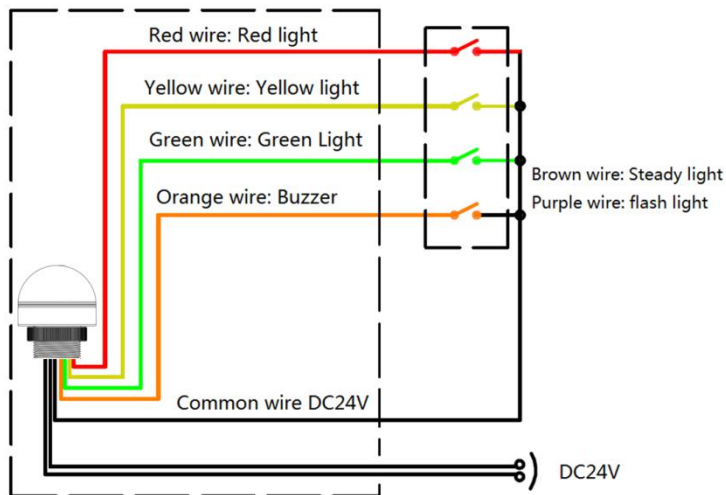


Wiring instruction:

PNP & NPN



Contact type



Package info.:

Item No.	Qty/carton	Carton size	Total NW.	Total GW.
ONN-M4B(No buzzer type)	36 pieces	380*320*290mm	4.5kg	6.3kg
ONN-M4B(buzzer type)	36 pieces	380*320*290mm	5.4kg	7.2kg

