

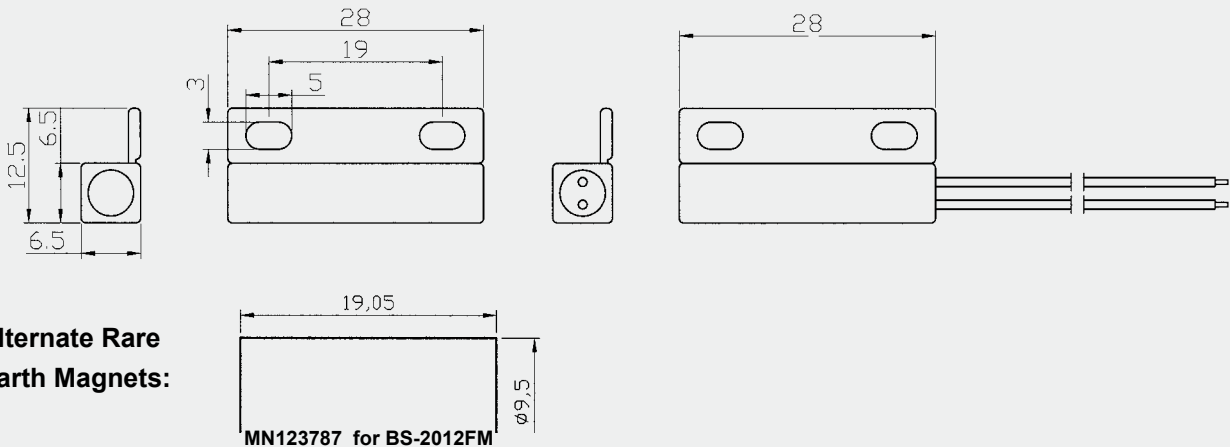
Specification: BS-2012

- * Mini Stick-on contact with flange
- * Side leads with #24AWG 18" length
- * Adhesive and screw mount included
- * Speical leads on request
- * Switches or magnets available seperately
- * Resistor, Diode and Supervisory Loop available on request
- * Colors: White, Brown, Grey

... **Surface Mounted**



Dimension (mm):



Order Information:

Part Number	Loop Type	Reed Form	Closed Gap [Inch(mm)] (Ohm)	Depature Gap [Inch(mm)] (W)	Maximum Initial Contact Resistance (VDC/VAC)	Maximum Contact Rating (A)	Maximum Switching Voltage	Maximum Switching Current
BS-2012	Closed	N/O	1 (24)	1.15 (29)	0.150	10	100	0.5
BS-2012FM	Closed	N/O	1 (25)	1.1 (28)	0.150	10	100	0.5
BS-2012A	Open	N/C	3/4 (19)		0.150	3	30	0.2
BS-2012C	Closed & Open	SPDT	3/4 (19)		0.150	3	30	0.2

