

BAC2004-ARM

BAC1002-Lite

BAC1002-ARM

BAC2004-Lite

BAC2004-ARM

BAC2004-A9

BAC1022-1U

BACnet Gateway

Model: BAC2004-ARM



Software Features :

- Green software and Free Installation;
- close to 200 protocols can be converted into BACnet IP/MSTP server;
- browser, set up and monitor by WEB;
- Line convert, fetch bit , Highbyte & Lobbye convert;
- Internal variable can check device online & offline status;
- 9 Register types (AI, AO, AV, BI, BO, BV, MI, MO, MV) ;
- Friendly software configuration tool , complete 1024 points in 10m;
- new Protocol can be completed in 2 weeks;

Hardware Parameter :

CPU : 400MHz

POWER : AC/DC 24V

Memory : 64M High performance memory

Size(L×W×H) : 160*116*37mm

System : WIN CE

Weight : 500g

Watts : 7W

Material : carbon steel

Interface : 2Ethernets
4Serial Ports(4 RS485)

Setup : Guide Way , Wall-hanging

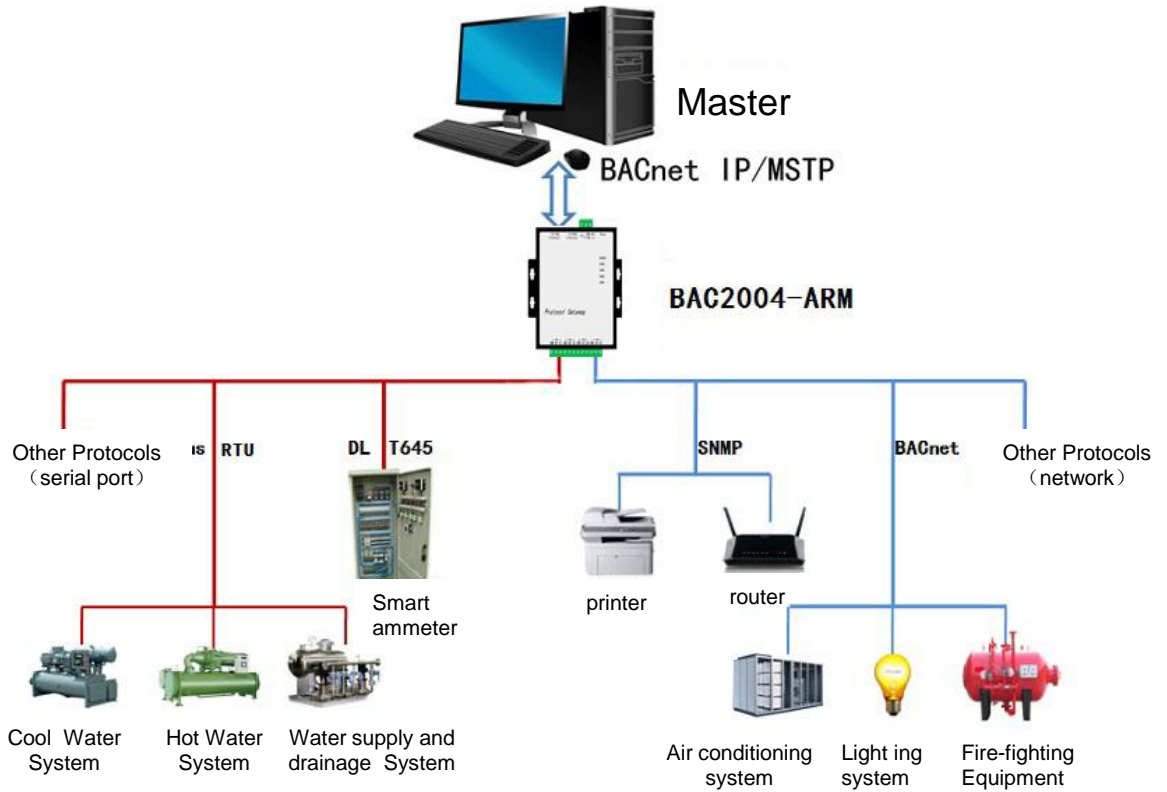
Flash : 256M

Temperature : -30 ~ 75°C(working)
-40 ~ 85°C(storage and transportation)

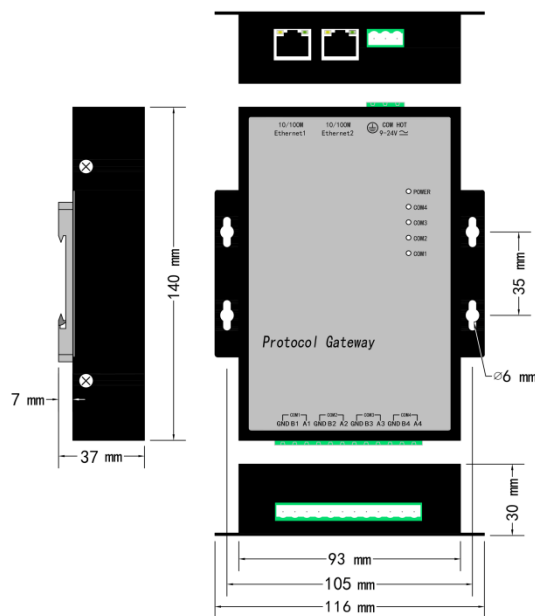
Network:
2 High-performance 100M/10M adaptive
Industrial Network Cards, support AUTO
MDI/MDIX

Humidity:
20% ~ 90%, no condensation (work),
15% ~ 95%, no condensation (storage and
transportation)

Application Principle Diagram



Product Size



BAC2004-ARM (Guide Way & Wall-Hanging)

BACnet Gateway Model:BAC2004-A9(Guide Way) BAC2004-A9-B(Wall-Hanging)

Function :

BAC2004-A9 is a high-capacity hardware Gateway with 2ethernets and 4serial ports. Matching software is X2BACnet . X means all kinds of protocols from different manufacturer. These protocols(X) can be converted by BACnet hardware Gateway into standard BACnetIP /BACnetMSTP. Configured project files by X2BACnet are uploaded to hardware gateway, users can read & write point informations from different manufacturer by BACnet system.

Application :

BACnet Gateway can convert all kinds of protocols into BACnet IP/MSTP. BACnet Gateway have solved the problem that some large BA Company can't connect any uncommon devices. So BACnet system can control uncommon devices by BACnet gateway.

BA Controls :

Honewell (EBI, Niagara) , Siemens (Insight) , Johnson Controls (Metasys) , Schneider Electric (TAC) 、 Delta (ORCAview)

Uncommon Devices :

PLC、 Air conditioner、 Elevator、 fire control、 light control、 smart ammeter、 water meter

Runtime environment :

OS : Windows XP/Win 7/Win8/Win10/Win Server 2003/Win Server2008/Win Vista etc.

Browser : IE11 (and above) 、 Safari、 Google Chrome、 firefox、 Opera etc.

Register Type&Num

Number of Registers is dynamic, each register can be builded up to 5120 points.

BACnet Register Types	BACnet Registers
AI (Read only)	5120 (0~5119)
AO (Read & Write)	5120 (0~5119)
AV (Read & Write)	5120 (0~5119)
BI (Read only)	5120 (0~5119)
BO (Read & Write)	5120 (0~5119)
BV (Read & Write)	5120 (0~5119)
MI (Read only)	5120 (0~5119)
MO (Read & Write)	5120 (0~5119)
MV (Read & Write)	5120 (0~5119)