

**Without display****TSTH****With display**

Features

- Active transmitters
0-10 Vdc or 4-20 mA output
- 8 different temperature ranges in same unit, selectable via jumpers on pcb:

-20°C to +150°C, -50°C to +50°C, -20°C to +80°C,
-30°C to +60°C, 0 to +40°C, 0 to +50°C, 0 to +100°C
and 0 to +150°C

other temperature ranges on request
- With or without display
- IP65 housing
- Included 300 mm adjustable strap-on band,
for pipe diameter 13 to 92 mm (1/4" to 3")

Ordering

Type no.	Output	Display
TSTH 010	0-10 Vdc	No
TSTH 420	4-20mA	No
TSTH 010D	0-10 Vdc	Yes
TSTH 420D	4-20mA	Yes

Technical data

Measuring ranges	8 different temperature ranges in same unit as standard selectable via jumpers on pcb. T max up to 100°C, operating range -50°C to +100°C with manual zero point correction (+/-10K)
Sensing element	PT1000, DIN EN 60751, class B
Accuracy	0.3 K (Kelvin)
Connections	3-wire for 0-10 Vdc 2-wire for 4-20 mA
Power supply	24 Vac/dc +/- 10% for output 0-10 Vdc 15-35 Vdc for output 4-20 mA
Ambient temperature	-30°C to +70°C
Humidity	< 95% r.H. non-precipitating air
Protection type	IP65 (according to EN 60529)
Protection class	III (according to EN 60730)
Housing material	Plastic, material polyamide, 30% glass-globe-reinforced with quick-locking screws colour pure-white (similar RAL9010)
Housing dimensions	72x64x39 mm excluding cable entry gland
Cable gland	M16, including strain relief
Standards	CE conformity, electromagnetic compatibility according to EN 61326:2006 according to EMC directive 2004/108/EC
Display	single line display with illumination, cutout 37x15 mm (W x H), for displaying actual temperature (only for TSTH 010D, TSTH 420D)
Mounting	300 mm adjustable metal strap-on band with a tightener delivered together with the TSTH for pipe diameter 13 to 92 mm (1/4" to 3")

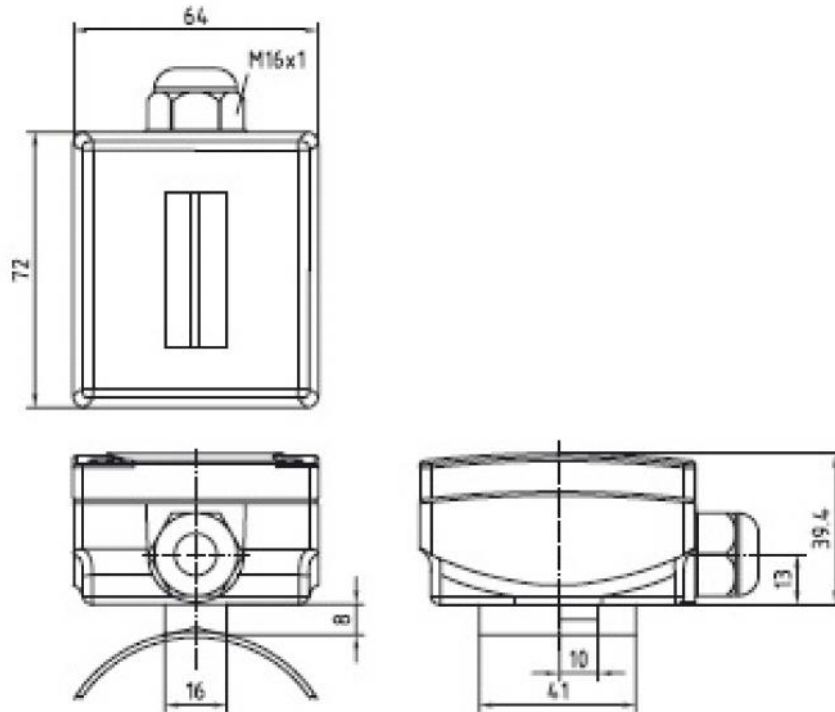
Application/Description

The strap-on temperature transmitter TSTH is used for sensing the temperature of pipework in heating, ventilation and air conditioning systems.

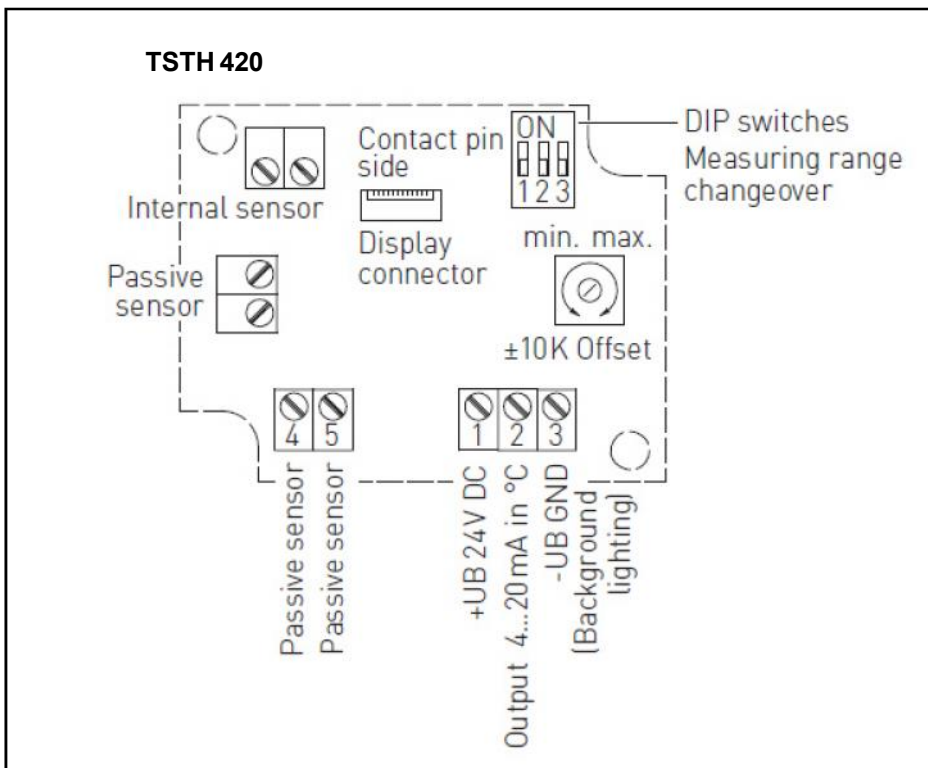
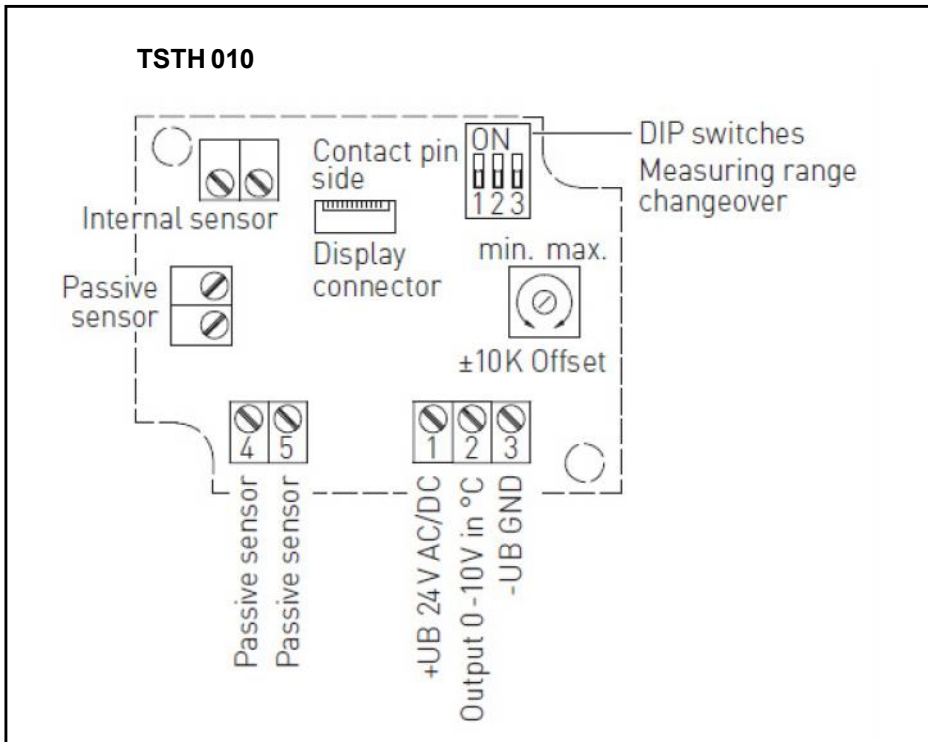
The strap-on temperature transmitter TSTH are available with 0-10 Vdc or 4-20 mA output with 8 different measuring temperature ranges selectable on pcb in same unit.

The IP 65 plastic housing is supplied with a plastic cable entry gland. PCB and connection terminal is under the cover.

The TSTH is provided with a clamp that adapts to the pipe's surface and the unit is fixed with an adjustable 300 mm strap-on band, other strap-on lengths are available.

Dimensions (mm)

Electrical connections



8 different temperature ranges in same unit, selectable via jumpers on pcb

Measuring ranges (adjustable)	JP 1	JP 2	JP 3	JP 4
-20 °C ... + 150 °C				
-50 °C ... + 50 °C				
-20 °C ... + 80 °C				
-30 °C ... + 60 °C				
0 °C ... + 40 °C				
0 °C ... + 50 °C				
0 °C ... + 100 °C				
0 °C ... + 150 °C				

We reserve the right to make changes in our products without any notice which may effect the accuracy of the information contained in this leaflet.