



TRSS PT1000
ABS plastic without LCD display



TRTS PT1000 SS
stainless steel enclosure

stainless steel enclosure, vandalism secure version for schools, military barracks and public buildings

Technical data

Measuring range	-30 to +90°C
Sensing elements	See ordering (other elements on request)
Connections	2-wire (on request 3 and 4-wire)
Housing material	Plastic
Housing dimensions	91x85x29 mm
Protection	IP 30

Features

- Sensing elements
Thermistors, Platinum and Nickel
NTC 10K, NTC 1.8K, NTC 20K, PTC, PT100, PT1000, NI1000 etc.
- Simple 2-wire connection
On request 3-wire and 4-wire connection
- IP 30
- Economical way to measure temperature

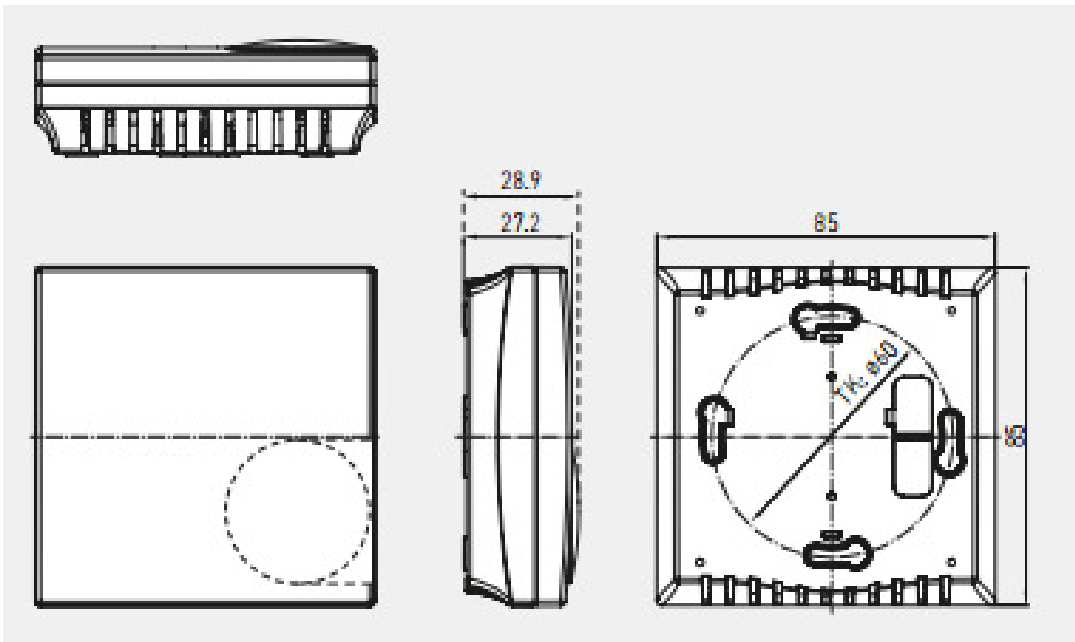
Ordering

Type no.	Description
----------	-------------

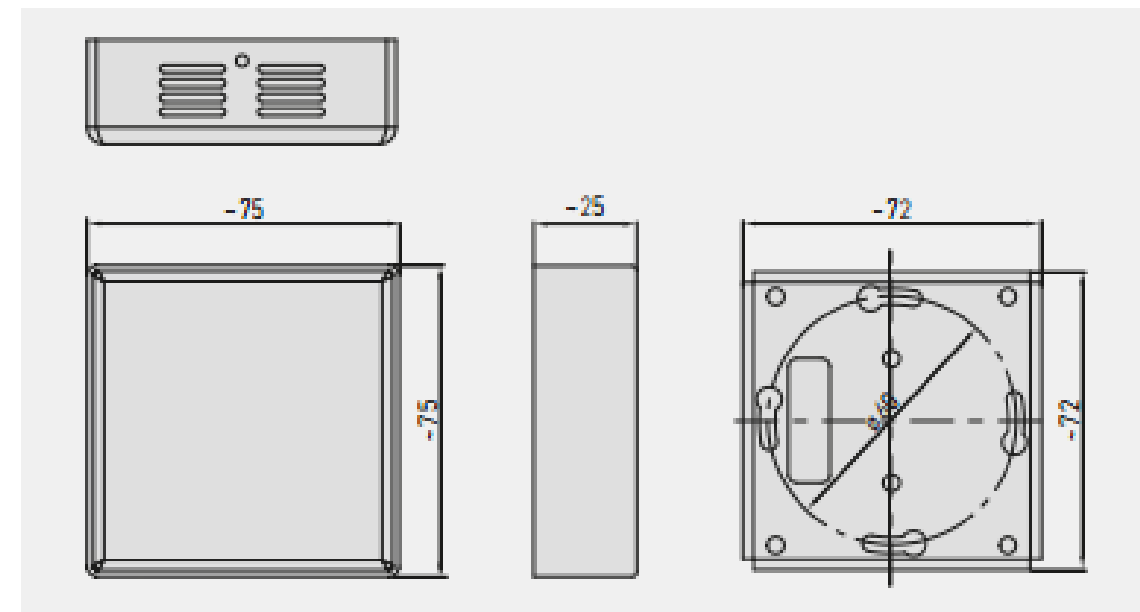
Room temperature sensor

TRSS NTC 10K	with ABS plastic enclosure
TRSS NTC 1.8K	with ABS plastic enclosure
TRSS NTC 20K	with ABS plastic enclosure
TRSS KTY 2K	with ABS plastic enclosure
TRSS PT100	with ABS plastic enclosure
TRSS PT1000	with ABS plastic enclosure
TRSS NI1000	with ABS plastic enclosure
TRSS NTC 10K SS	with stainless steel enclosure
TRSS NTC 1.8K SS	with stainless steel enclosure
TRSS NTC 20K SS	with stainless steel enclosure
TRSS KTY 2K SS	with stainless steel enclosure
TRSS PT100 SS	with stainless steel enclosure
TRSS PT1000 SS	with stainless steel enclosure
TRSS NI1000 SS	with stainless steel enclosure

Dimensions in mm for ABS plastic enclosure



Dimensions in mm for stainless steel housing



We reserve the right to make changes in our products without any notice which may effect the accuracy of the information contained in this leaflet.