



TOSS

Features

- Sensing elements
Thermistors, Platinum and Nickel
NTC 10K, NTC 1.8K, NTC 20K, PTC, PT100, PT1000, NI1000 etc.
- IP65 housing
- Housing dimensions 72x64x39 mm
- Internal element (inside housing)
- Simple 2-wire connection
- Economical way to measure temperature

Technical data

| | |
|-----------------------------|---|
| Measuring range | -50 to +90°C |
| Sensing elements | See ordering (other elements on request) |
| Isolation resistance | > 100Mohm, at 20°C (500 Vdc) |
| Connections | 2-wire (on request 3 and 4-wire) |
| Housing material | Plastic |
| Housing dimensions | 72x64x39 mm excluding cable entry gland |
| Protection | IP 65 |

Ordering

| Type no. | Description |
|---------------|----------------------------|
| TOSS PT100 | Outdoor temperature sensor |
| TOSS PT1000 | Outdoor temperature sensor |
| TOSS NI1000 | Outdoor temperature sensor |
| TOSS NTC 1.8K | Outdoor temperature sensor |
| TOSS NTC 10K | Outdoor temperature sensor |
| TOSS NTC 20K | Outdoor temperature sensor |
| TOSS KTY 2K | Outdoor temperature sensor |
| TSSS | Sensor shield |

Application/Description

Outdoor temperature sensor TOSS is used for sensing temperature outside and indoors where IP65 is required.

The TOSS is used in heating, ventilation and air conditioning systems as reference sensor for weather-compensated control, measuring sensor, e.g. for optimization, or for measured value display, or for connection to a building management system

The TOSS is passive outdoor temperature sensor available with different sensing elements such PT100, PT1000, NI1000, NTC, PTC etc.

Passive sensing elements is a low cost alternative to measure temperature with simple 2 wire connection.

The IP 65 plastic housing is supplied with a plastic cable entry gland, connection terminal is under the cover.

The sensing element is inside the housing (internal), on request also available with sensing element placed in a probe outside housing (external).

Always install the outdoor temperature sensor on north facing wall and at least 2.5 metres above ground.

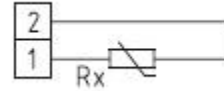
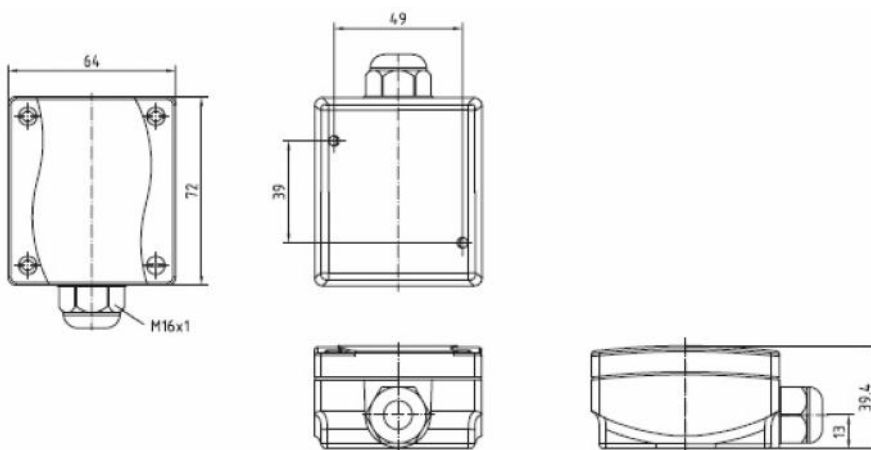
Avoid to expose the unit for direct sunlight, if mounting the unit in sunlight it is recommended to use the sensor shield TSSS.

Do not mount the unit close to heat sources such windows, doors etc.

Cable entry should be pointing downwards.

Connection

1x two-wire connection

**Dimensions (mm)**

We reserve the right to make changes in our products without any notice which may effect the accuracy of the information contained in this leaflet.