



Features

- Sensing elements
Thermistors, Platinum and Nickel
NTC 10K, NTC 1.8K, NTC 20K, PTC, PT100, PT1000, NI1000 etc.
- Probe lengths
50, 100, 150, 200, 250, 300 and 400 mm
- Easy to fix penetration dept with mounting flange
- IP 65 protection
- Simple 2-wire connection
- Economical way to measure temperature

Technical data

Measuring range	-30 to +150°C
Sensing elements	See ordering (other elements on request)
Connections	2-wire (on request 3 and 4-wire)
Probe material	Steel
Probe diameter	6mm
Probe length	50, 100, 150, 200, 250, 300 or 400 mm
Housing material	Plastic
Housing dimensions	72x64x39 mm excluding cable entry gland
Protection	IP 65
Mounting	With supplied (attached) flange
Isolation resistance	> 100Mohm, at 20°C (500 Vdc)

Ordering

Type no.	Description
TDSH NTC 10K xxx	Duct temperature sensor
TDSH NTC 1.8K xxx	Duct temperature sensor
TDSH NTC 20Kxxx	Duct temperature sensor
TDSH KTY 2K xxx	Duct temperature sensor
TDSH PT100 xxx	Duct temperature sensor
TDSH PT1000 xxx	Duct temperature sensor
TDSH NI1000 xxx	Duct temperature sensor

xxx = probe length in mm; 50, 100, 150, 200, 250, 300 or 400.

Order example:
Type number for duct temperature sensor PT1000 with
150 mm probe length will be TDSH PT1000 150.

Application/Description

The duct temperature sensor TDSH is used for sensing the air temperature in heating, ventilation and air conditioning systems (e.g. in supply air, extract air or mixed air ducts).

The TDSH is a passive duct temperature sensor available with different sensing elements such as NTC 10K, NTC 1.8K, NTC 20K, PTC, PT100, PT1000, NI1000 etc.

Passive sensing elements is a low cost alternative to measure temperature with simple 2 wire connection.

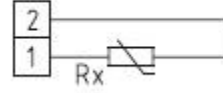
The probe is made of quality steel, available with several different lengths from 50 mm to 400 mm.

A flange is supplied with the TDSH for mounting and adjustment of penetration depth.

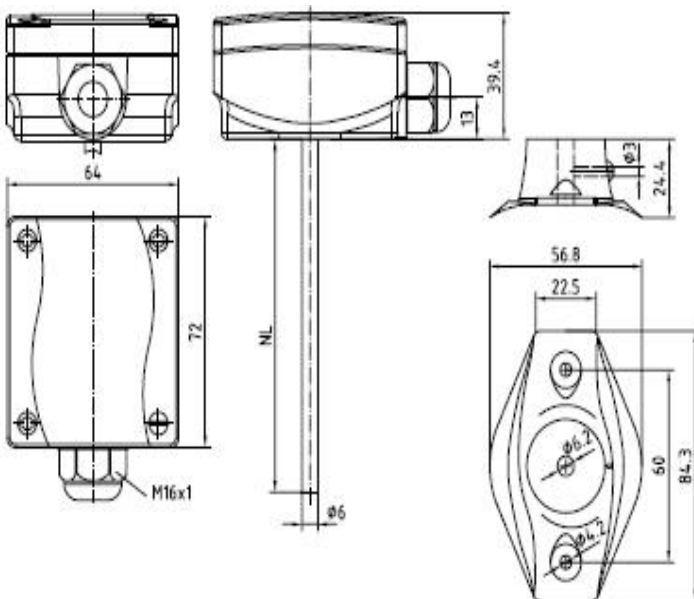
The sensing element is located in the end of the probe and wiring connection is inside the IP 65 housing on a terminal block, the housing is supplied with a plastic cable entry gland.

Connection

1x two-wire connection



Dimensions (mm)



NL = 50, 100, 150, 200, 250, 300 or 400 mm (probe length)

We reserve the right to make changes in our products without any notice which may effect the accuracy of the information contained in this leaflet.