



Features

- Metal oxide gas sensing element
- Range 0-1000 ppm
- Output
2 x 4-20 mA or 0-10 Vdc, user settable
- RS485, Modbus RTU protocol
- Output relays
2 x SPST relays (closing contact),
250 VAC / 30 VDC, 5 A max
- Default alarm set-points
LOW: set 100 , release 80 ppm;
HIGH: set 500, release 400 ppm
- Power supply 24 Vdc (11-30 Vdc)
option with 90-265 Vac
- Sensor life time minimum 10 years

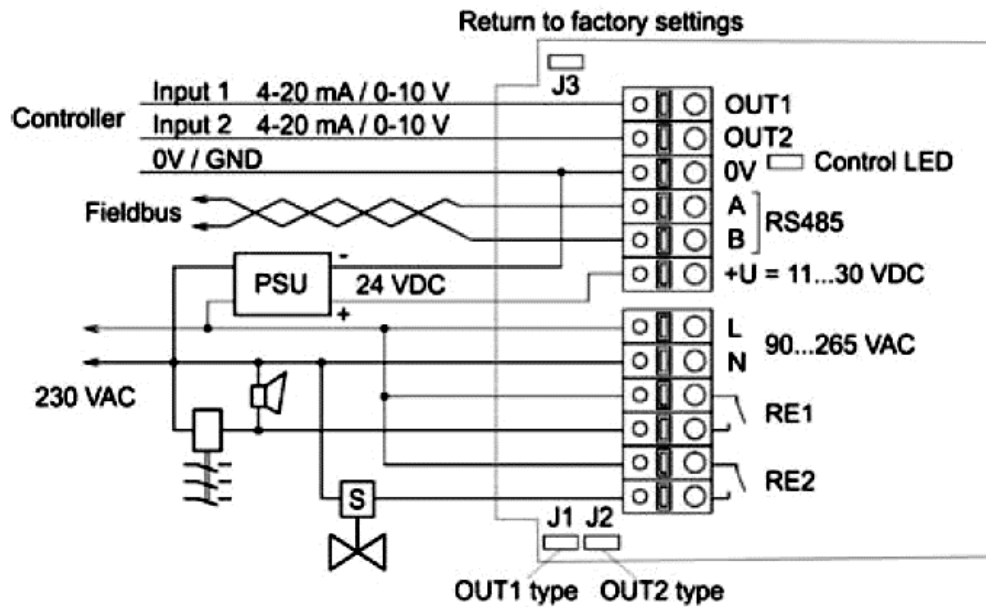
Ordering

Type no.	Description
FHFC 100	Refrigerant Gas Detector 0-1000 ppm, 24 Vdc

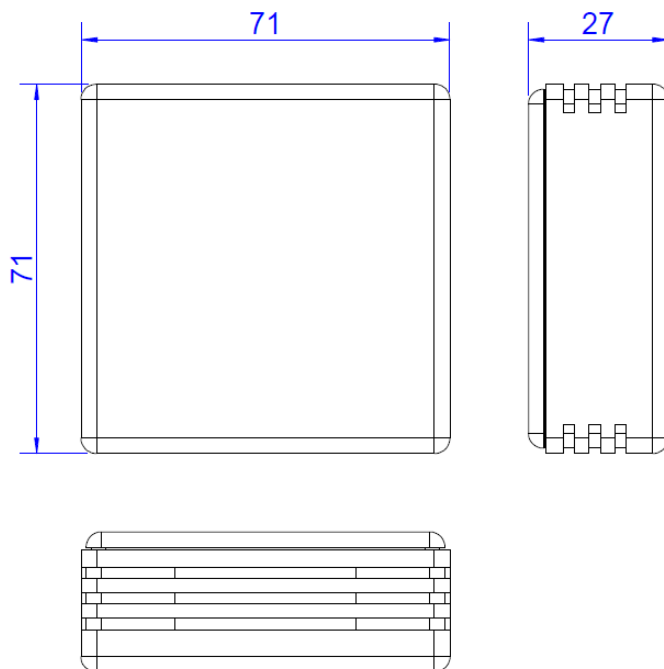
Technical data

Detected gases	R-12, R-123, R-125, R-134a, R-143, R-22, R-404a, R-407c, R-410a etc
Default calibration	R404a
Sensor type	long-life metal-oxide gas sensor
Sampling method	diffusion
Detection range	0-1000 ppm
Resolution	1 ppm
Signal update	every 1 second
Response time	~15 seconds
Maintenance interval	12 months
Sensor lifetime	> 10 years
Self-diagnostics	full functionality check at start-up
Warm-up time	≤ 1 min
Power supply	11-30 Vdc option 90-265 Vac
Power consumption	< 2 W
Digital interface	RS485, Modbus RTU protocol
Alarms	blinking LED, buzzer 85 dB
Analog outputs	2 × 4-20 mA / 0-10 Vdc, user settable
Output relays	2 × SPST relays (closing contact), 250 VAC / 30 VDC, 5 A max
Default alarm set-points	LOW: set 100 , release 80 ppm; HIGH: set 500, release 400 ppm
Enclosure	ABS plastic with ventilation slots, wall mount, protection class IP20
Dimensions	H71 × W71 × D27 mm
Operating environment	residential, business and industrial indoor spaces (non ATEX rated)
Operating conditions	-30to +70 °C, <95 %RH, without condensation no aggressive gases or silicon containing materials in the air

Wiring



Dimensions in mm



We reserve the right to make changes in our products without any notice which may effect the accuracy of the information contained in this leaflet.