

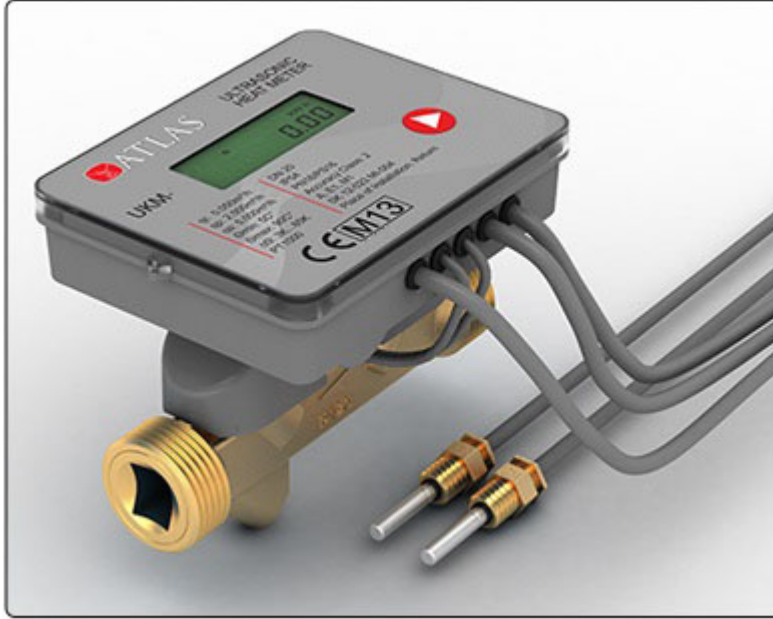
◆ Alt Sayfalar

UKM15

UKM15

**ULTRASONIC HEAT METER
(CALORIMETER)**

CE EN 1434



(/user/files/120641.jpg)

Box Details

Standard

- UKM-15 Heat Meter, 1 Pcs
- gasket, 2 Pcs
- Sensor Mounting Part , 2 Pcs
- Sensor O-Ring Gasket, 1 Pcs
- User Manual and Mounting Directions

Optional

- Ball Sensor Valve
- Hybrid Heat Meter
- Coupling Sleeve of Sensor

KEY FEATURES

- Produced according to the requirements of EN 1434 standards
- MID approved
- Ultrasonic measurement method gives more accurate results than classical mechanic heat meter measurement.
- The product does not have any moving part so that has a longer life than classical mechanic heat meters
- Low energy usage provides long-term battery life up to 10 years
- Easy to display with rotatable and demountable screen
- Temperature measurement range: 5 °C - 90 °C
- Maximum applicable pressure (MAP) is 16bar
- 1" external gear connection
- ¾" fitting set of meter is not covered by delivery.



TR (/?dil=tr)

TECHNICAL DETAILS (mailto:info@atlassayac.com/user/files/AtlasCatalog.pdf)

Ultrasonic Flowmeter

The product can measure at low flow status

Flowmeter rates:

- Minimum Flow(qi) : 0,03 m3/h
- Nominal Flow(qp) : 1,50 m3/h
- Maximum Flow(qs) : 3,00 m3/h

Heat Sensor Pair for Linear Measurement

Minimum measurement Δt starts 0,1 °C

Temperature measurement between 5 °C and 90 °C

Maximum applicable pressure (MAP) is 16bar

It has a non-magnetic technology.

Metrological Features

- Suitable for TS EN 1434 Standards requirements
- Produced according to 2004/22/EC+2009/137/EC MID
- Accuracy class is 2
- Security class is IP54

Communication and Interfaces

- It has M-Bus and Optic interface as standard
- It also produced Pulse and RF interfaces as optional.
- Low energy usage provides long-term battery life up to 10 years
- The last 12 months consumption indexes can be displayed.

DIMENSIONS

Length (L)

Height (H)

Width (W)

Connection(D)

DN

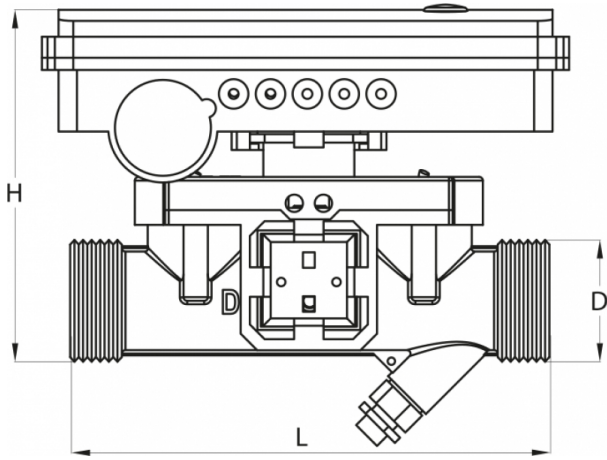
Length of Sensor Cable

Length of M-BusCable

Weight

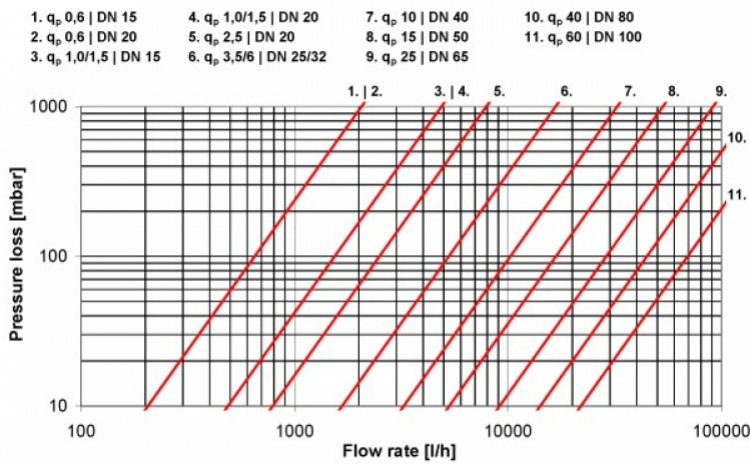


TR (/?dil=tr)



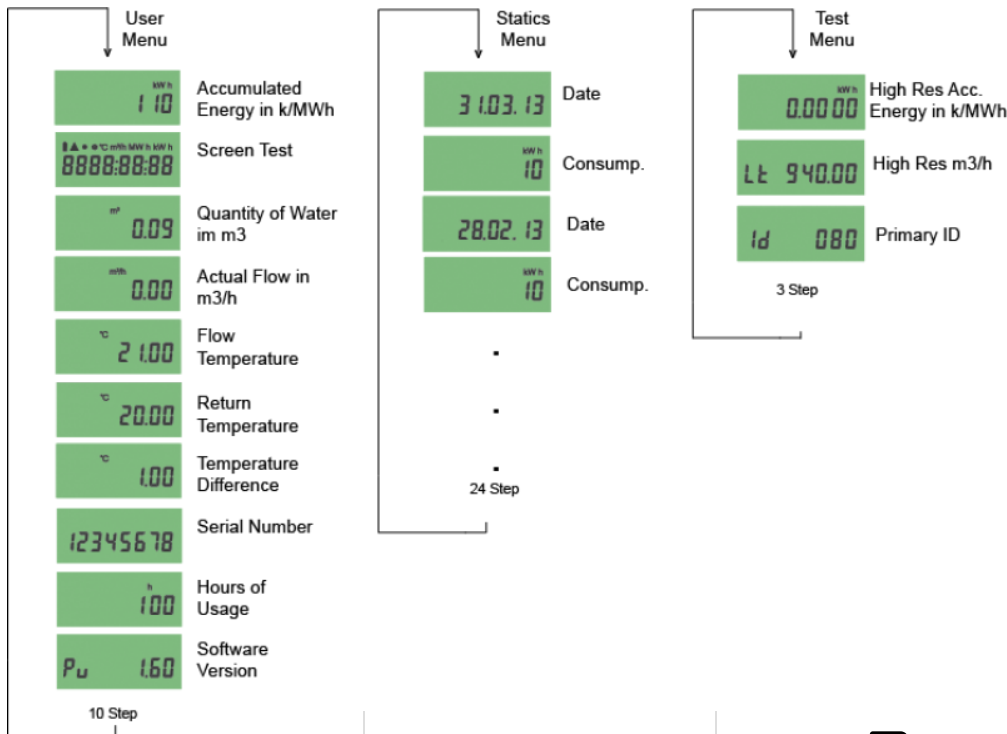
(/user/files/87628.jpg)

PRESSURE LOSS CURVE



(/user/files/57223.jpg)

MAIN AND STATISTIC MENUS OF METER





TR (/?dil=tr)